

Pin Header

Board Spacer Single / Dual Row
Straight S.M.T Type

Pitch:2.00mm

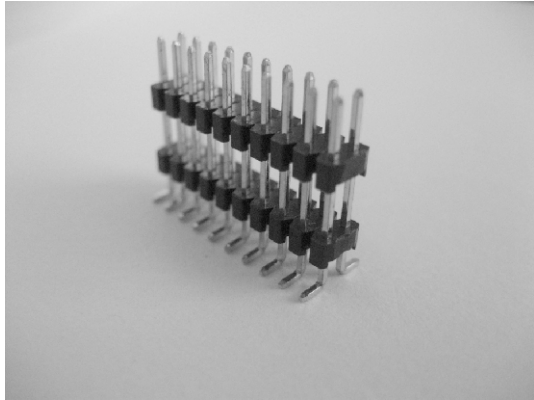
Series

460 20

Odia 奥比亚

Tel: (+86)0755-28248661/2/3

Fax: (+86)0755-27857873

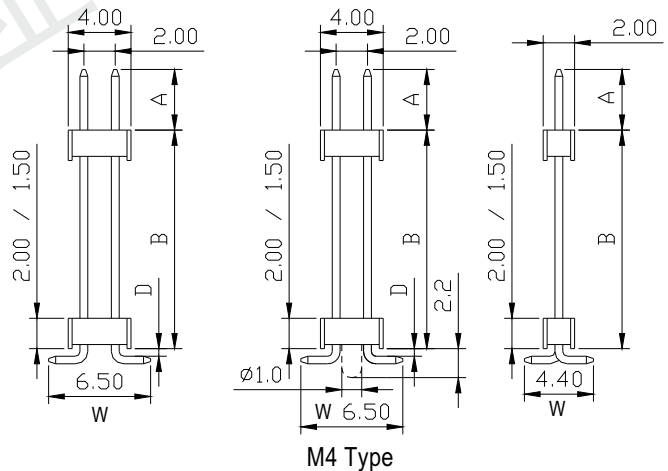
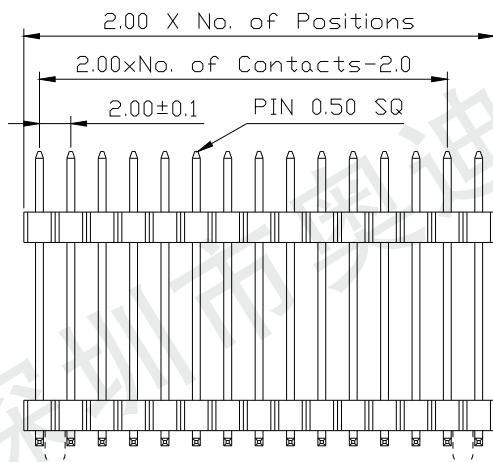
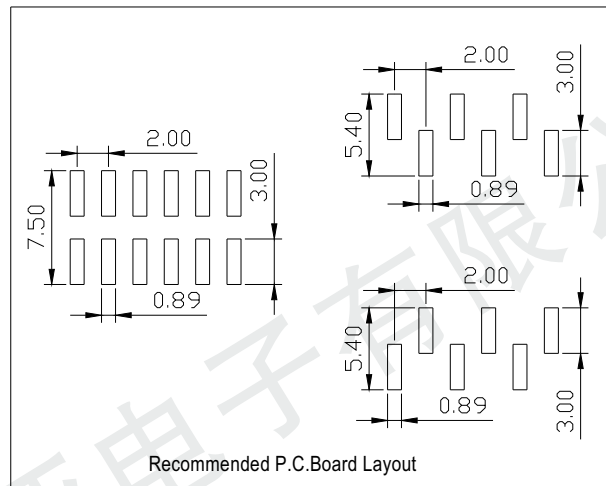
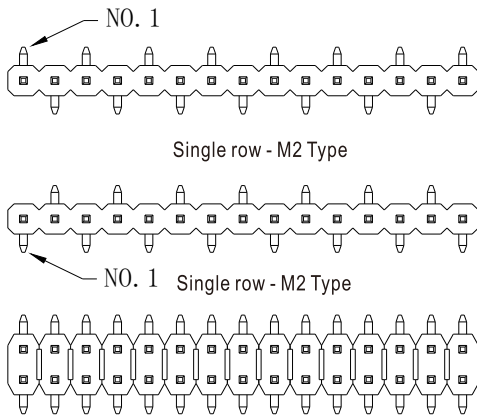


SPECIFICATIONS (技术参数):

Current Rating (额定电流): 2.0 AMP
 Contact Resistance (接触电阻): 30mΩ Max
 Insulation Resistance (绝缘电阻): 1000MΩ Min
 Withstand Voltage (耐压值): 500VAC/minute
 Operation Temperature (工作温度): -40°C to +105°C

MATERIALS(材质):

Contact Material (接触件材质): Copper Alloy
 Contact Plating (接触件电镀): Gold or Tin over 50 μ "Ni
 Insulator Material (绝缘体材质): Polyester(UL94V-0)
 Standard: PBT



Ordering Code

① ② ③ ④ ⑤ ⑥ ⑦ ⑧ ⑨ ⑩
46020 2 2 30 M 2 5 2 XXX

① Series No.:
460= Pin Header
② Pitch: 20= 2.00mm

③ Insulator Height:
2 = 2.00mm
1 = 1.50mm

④ Number of row:
1=Sing row
2=Double row
⑤ Number of Contacts:
Single row=01(1x1)to 40(1x40)
Double row=04(2x2)to 80(2x40)

⑥ Tail & Mounting Style:
M=Straight SMT type

⑦ Contact Plated
0=Tin 1=Gold Flash
2=Gold 3u" 3=Gold 5u"
4=Gold 10u" 5=Gold 15u"
6= Gold 30u" A=Gold 1.5u"
B=Gold 2u"

⑧ Material Type
0=PPS 3=Nylon-9T
1=PBT 4=Nylon-6T
2=LCP 5=PA46

⑨ Tiers of Body
1 = Single tier
2 = Double tier
3 = Triple tier

⑩ Pin Length
XXX=A+B+D+(W/2)
XXX=A+B+D+(W-2.0)/2