

Pin Header

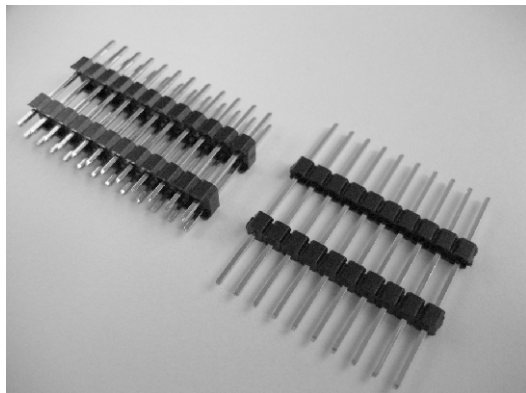
Board Spacer Single / Dual Row
Straight DIP Type

Pitch: 2.54mm

Series
460 25

Odia 奥比亚

Tel: (+86)0755-28248661/2/3
Fax: (+86)0755-27857873

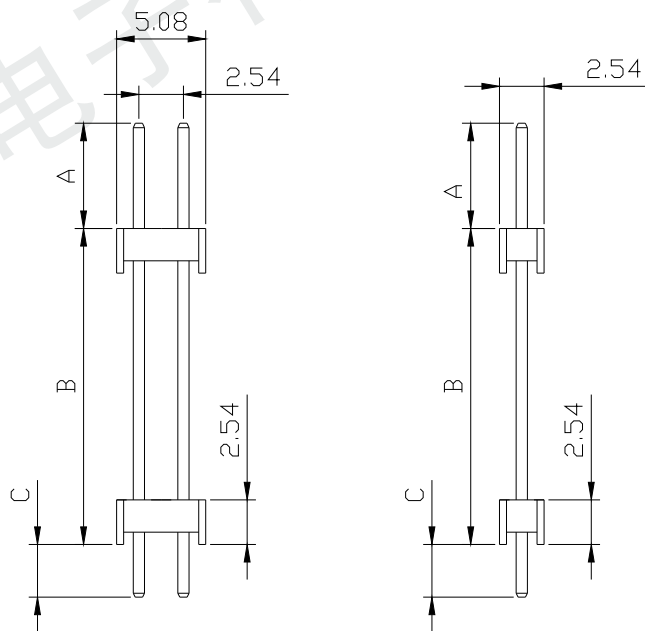
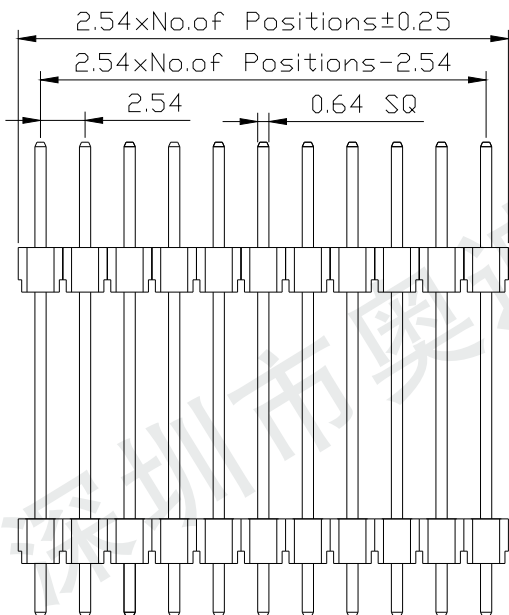
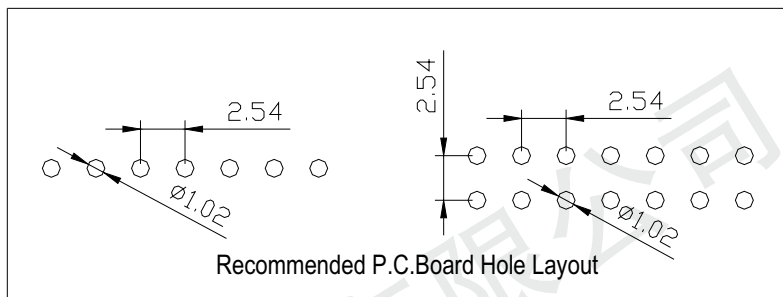
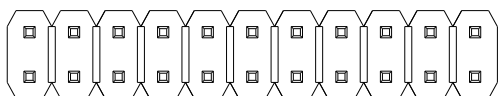


SPECIFICATIONS (技术参数):

Current Rating (额定电流): 3.0 AMP
Contact Resistance (接触电阻): 30mΩ Max
Insulation Resistance (绝缘电阻): 1000MΩ Min
Withstand Voltage (耐压值): 600VAC/minute
Operation Temperature (工作温度): -40°C to +105°C

MATERIALS (材质):

Contact Material (接触件材质): Copper Alloy
Contact Plating (接触件电镀): Gold or Tin over 50 μ "Ni
Insulator Material (绝缘体材质): Polyester (UL94V-0)
Standard: PBT



Ordering Code

① ② ③ ④ ⑤ ⑥ ⑦ ⑧ ⑨ ⑩
46025 1 2 16 S 1 4 2 XXX

① Series No.:
460

② Pitch: 25= 2.54mm

③ Insulator Height:
1 = 2.50mm
2 = 2.34mm
3 = 2.00mm
4 = 1.70mm
5 = 1.50mm

④ Number of row:
1=Sing row
2=Double row

⑤ Number of Contacts:
Single row=01(1x1)to 40(1x40)
Double row=04(2x2)to 80(2x40)

⑥ Tail & Mounting Style:
S= Straight DIP Type

⑦ Contact Plated
0= Tin 1= Gold Flash
2= Gold 3u" 3= Gold 5u"
4= Gold 10u" 5= Gold 15u"
6= Gold 30u" A= Gold 1.5u"
B= Gold 2u"

⑧ Material Type
0= PPS 3= Nylon-9T
1= PBT 4= Nylon-6T
2= LCP 5= PA46

⑨ Tiers of Body
1 = Single tier
2 = Double tier
3 = Triple tier

⑩ Pin Length
XXX=A+B+C